



## *TBS (Standard) Truck Bed Series*

<ul style="list-style-type: none"> <li>• Headache Rack - 3.5x3.5" Steel Tube</li> <li>• Frame Rails - 4" Channel</li> <li>• Crossmembers - 3" Channel</li> <li>• Deck - 11 Ga. Diamond Plate</li> <li>• Rear Skirt - One Piece 11 Ga. Diamond Plate</li> <li>• Fenders - N/A</li> <li>• Toolboxes - Optional Underbody</li> <li>• Tie Downs - Rub Rail &amp; Stake Pockets</li> <li>• Fuel Filler - Angled (2 Front &amp; 1 Rear)</li> </ul>	<ul style="list-style-type: none"> <li>• Gooseneck Hitch - 25K 2-5/16" Ball</li> <li>• Bumper Hitch - 2" Receiver Tube</li> <li>• Gooseneck Plug - 7-Way RV Style</li> <li>• Bumper Plug - 7/4-Way RV/Flat Style</li> <li>• Headache Lights - 6" Oval (2 Red &amp; 2 White)</li> <li>• Rear Lights - 6" Oval (4 Red &amp; 2 White)</li> <li>• Marker Lights - 2.5" Round (2 Amber &amp; 7 Red)</li> <li>• Tag - Recessed Bracket w/ 2 Snap-In Lights</li> <li>• Finish - Super Durable Powdercoat</li> </ul>
--	--

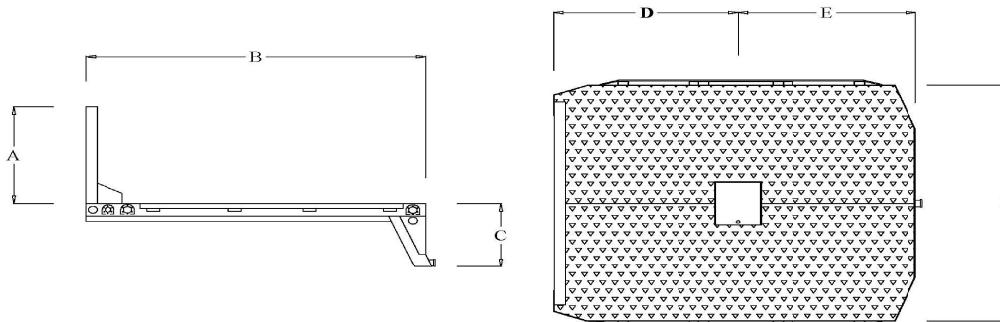
### *Standard Features*

### *Optional Features*

<ul style="list-style-type: none"> <li>• Mitered Back Corners</li> <li>• All L.E.D. Lights</li> <li>• Head Board Gas Can Tiedowns</li> <li>• Recessed Rear 6" Oval Lights</li> <li>• Sealed Wiring Harness</li> <li>• Gooseneck Cover</li> </ul>	<ul style="list-style-type: none"> <li>• Drop-In Side Rails</li> <li>• Underbody Toolbox</li> <li>• Gooseneck Trough</li> <li>• Heavier Diamond Plate Deck</li> </ul>
--	---

### *Dimensions*

Models:	A	B	C	D	E
TBS-9	38"	113"	24"	58"	55"
TBS-11	38"	137"	24"	82"	55"



•Specs & Prices Subject to Change Without Notice•