



6/7/9T Equipment Series

<ul style="list-style-type: none"> • G.V.W.R. - 12,000# • G.A.W.R. (Each Axle) - 6,000# • Coupler - 2-5/16" - Adjustable Type • Safety Chain - 3/8" Grade 43 w/ Hooks • Jack - 10K Drop Leg • Frame - 6" Channel • Crossmembers - 3" Channel • Fenders - 9x72" Diamond Plate w/ Backs • Tongue - Wrap Around 6" Channel • Bed Width - 81" 	<ul style="list-style-type: none"> • Axles - (2) 6,000# Cambered Brake Axles • Suspension - Slipper Spring w/ Equalizer • Tires - ST235/80R16 Load Range E • Wheel - 16" 8-Bolt White Spoke • Deck - 2" Pressure Treated Pine • Lights - L.E.D. Stop, Tail, Turn, & Clearance • Elec. Plug - 7-way RV Style • Paint - Super Durable Powdercoat • Ramps - 5' Fold Down • Sealed Modular Wiring Harness
---	---

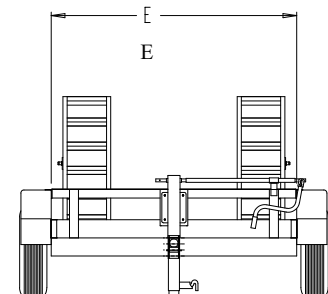
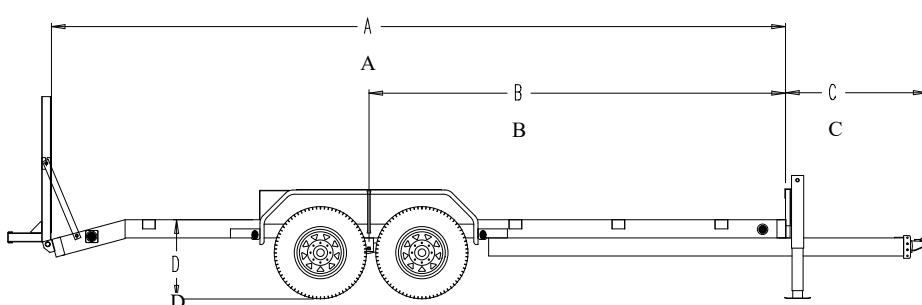
*22' & 24' Frame - 8" Channel

Standard Features Optional Features

<ul style="list-style-type: none"> • 16" White Spoke • Pressure Treated Floor • Light Protectors • Electric Breakaway • E-Z Lube Axles • Radial Tires 	<ul style="list-style-type: none"> • Side Rails • Steel Deck (11 Ga. Dia) • Double Split Gate w/ Springs • 7 & 9 Ton Upgrades • D-Rings • Surge Brakes
---	--

Dimensions

Weight / Length	A	B	C	D	E	Dove
2,600Lbs / 12'	144"	88"	46.5"	25.5"	82"	24"
2,650Lbs / 14'	168"	100"	46.5"	25.5"	82"	24"
2,700Lbs / 16'	192"	112"	46.5"	25.5"	82"	24"
2,750Lbs / 18'	216"	124"	46.5"	25.5"	82"	24"
2,800Lbs / 20'	240"	136"	46.5"	25.5"	82"	24"
3,050Lbs / 22'	264"	148"	46.5"	25.5"	82"	24"
3,150Lbs / 24'	288"	160"	46.5"	25.5"	82"	24"



•Specs & Prices Subject to Change Without Notice•