

LH (Rental) 5T Dump Series

<ul style="list-style-type: none"> • G.V.W.R. - 9,950# • G.A.W.R. (Each Axle) - 5,200# • Coupler - 2-5/16" - Adjustable Type • Safety Chain - 3/8" Grade 43 w/ Hooks • Jack - 7K Drop Leg • Frame - All Tubing Construction • Tongue - Wrap Around 6" Channel • 12-Volt Front Mounted Self-Contained Hydraulic Pump System • 2-Way Side & Top Hinge Gate 	<ul style="list-style-type: none"> • Axles - (2) 5,200# Cambered Brake Axles • Suspension - Double Eye Spring w/ Equalizer • Tires - ST225/75R15 Load Range D • Wheel - 15" 6-Bolt White Spoke • Deck - 10 Ga. Smooth Steel • Lights - L.E.D. Ttop, Tail, Turn, & Clearance • Elec. Plug - 7-way RV Style • Paint - Super Durable Powdercoat • Sides - 24" 12 Ga. Smooth Steel • Fenders - N/A
---	--

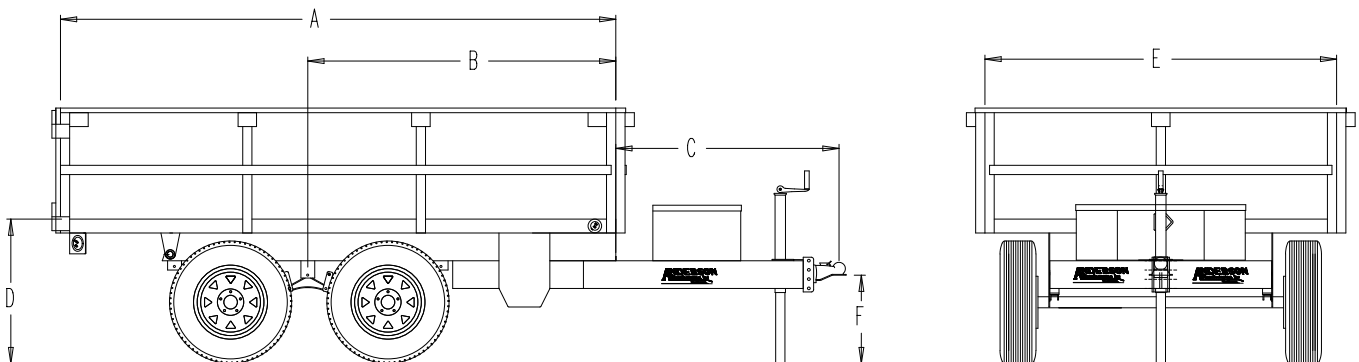
Standard Features

Optional Features

<ul style="list-style-type: none"> • 15" White Spoke Wheels • Light Protectors • Electric Breakaway • E-Z Lube Axles • Radial Tire • 2-Way Dumping Gate 	<ul style="list-style-type: none"> • Higher Sides • Double Barn Doors • Tarp System • Charger • Surge Brakes
---	---

Dimensions

Weight / Length	A	B	C	D	E	F
3,150Lbs / 10'	120"	79"	45"	34.5"	80"	22.5"
3,550Lbs / 12'	144"	90"	45"	34.5"	80"	22.5"



•Stake Pockets Shown Optional•

•Specs & Prices Subject to Change Without Notice•