



5T Equipment Series

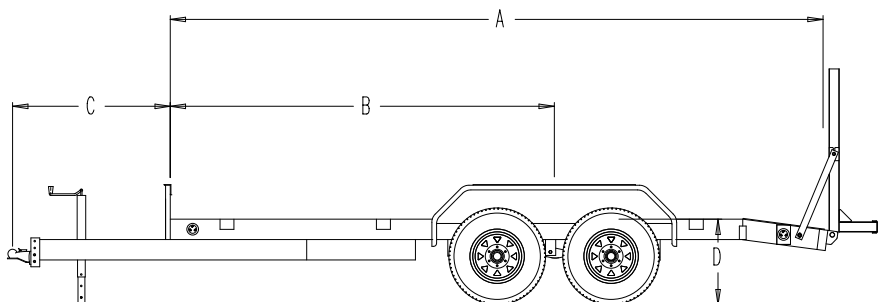
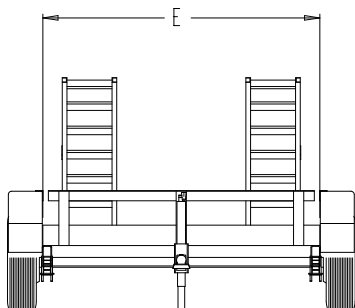
• G.V.W.R. - 9,950#	• Axles - (2) 5,200# Cambered Brake Axles
• G.A.W.R. (Each Axle) - 5,200#	• Suspension - Multi-Leaf Spring w/ Equalizer
• Coupler - 2-5/16" - Adjustable Type	• Tires - ST225/75R15 Load Range D
• Safety Chain - 3/8" Grade 43 w/ Hooks	• Wheel - 15" 6-Bolt White Spoke
• Jack - 7K Drop Leg	• Deck - 2" Pressure Treated Pine
• Frame - 6" Channel	• Lights - L.E.D. Stop, Tail, Turn, & Clearance
• Crossmembers - 3" Channel	• Elec. Plug - 7-Way RV Style
• Fenders - 9x72" Diamond Plate w/ Backs	• Paint - Powdercoated
• Tongue - Wrap Around 6" Channel	• Ramps - 5' Fold Down

Standard Features Optional Features

• 15" White Spoke Rims	• Side Rails
• Pressure Treated Floor	• Steel Deck (11 Ga. Dia)
• Adjustable Coupler	• Double Split Gate
• Electric Breakaway	• Surge Brakes
• E-Z Lube Axles	• Steel Floor

Dimensions

Weight / Length	A	B	C	D	E	Dove
2,575Lbs / 12'	144"	88"	46.5"	24"	82"	24"
2,625Lbs / 14'	168"	100"	46.5"	24"	82"	24"
2,675Lbs / 16'	192"	112"	46.5"	24"	82"	24"
2,725Lbs / 18'	216"	124"	46.5"	24"	82"	24"
2,775Lbs / 20'	240"	136"	46.5"	24"	82"	24"
3,050Lbs / 22'	264"	148"	46.5"	24"	82"	24"



•Specs & Prices Subject to Change Without Notice•