



2T Dump Series

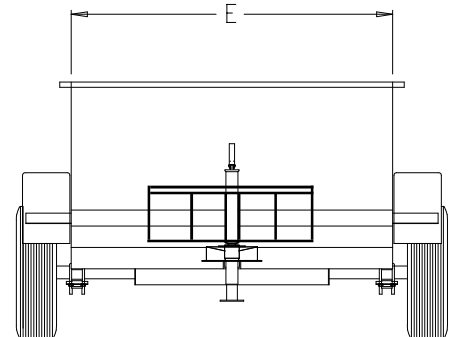
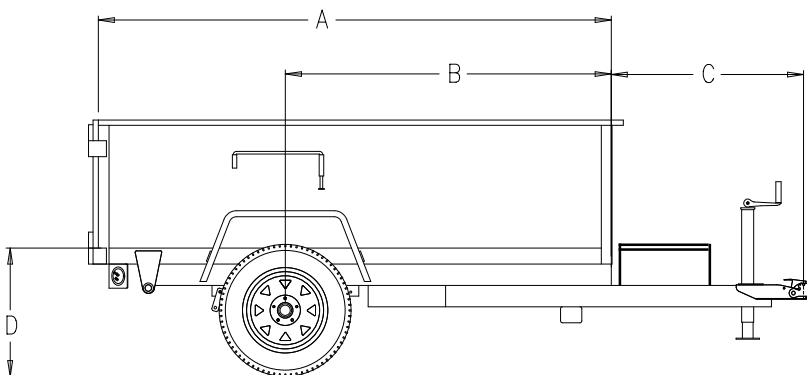
<ul style="list-style-type: none"> • G.V.W.R. - 5,200# • G.A.W.R. - 5,200# • Coupler - 2" - V-Type • Safety Chain - 3/16" Grade 30 w/ Hooks • Jack - 3K Top Wind • Frame - All Tubing Construction • Fenders - 9x32" Jeep-Style • Tongue - Wrap Around 4" Channel • 12-Volt Front Mounted Self-Contained Hydraulic Pump System 	<ul style="list-style-type: none"> • Axle - (1) 5200# Idler Axle • Suspension - Double Eye Spring • Tires - 225/75R15 Load Range D • Wheel - 15" 6-Bolt White Spoke • Deck - 12 Ga. Smooth Steel • Lights - L.E.D. Stop, Tail, Turn, and Clearance • Elec. Plug - 4-Way • Paint - Super Durable Powdercoat • Sides - 24" 14 Ga. Smooth Steel
---	---

Standard Features Optional Features

<ul style="list-style-type: none"> • 15" White Spoke Wheels • #1 Solid Dump Gate • Electric Breakaway • E-Z Lube Axles 	<ul style="list-style-type: none"> • Battery Charger • Brake Axle Upgrade
--	---

Dimensions

Weight / Length	A	B	C	D	E
1,600Lbs / 10'	120"	67"	36"	24"	60"



•Specs & Prices Subject to Change Without Notice•