



10/12 Ton Tagalong Dump Series

• G.V.W.R. - 23,900#	• Axles - (2) 10,000# Dual Wheel Electric Brake Axles
• G.A.W.R. (Each Axle) - 10,000#	• Suspension - Slipper Spring w/ Equalizer
• Coupler - 3 Position Pintle Ring	• Tires - ST235/80R16 Load Range E
• Safety Chain - 3/8" Grade 70 w/ Hooks	• Wheel - 16" 8-Bolt Dual Wheels
• Jack - 10K Drop Leg	• Deck - 3/16" Smooth Steel
• Frame - 12" I-Beam	• Elec. Plug - 7-way RV Style
• 12-Volt Self-Contained Pump	• Paint - High Solids Acrylic Enamel
• Lights - L.E.D. Stop, Tail, Turn, and Clearance	• Sides - 48" 12 Ga. Smooth Steel
• Hydraulic Scissor Hoist	

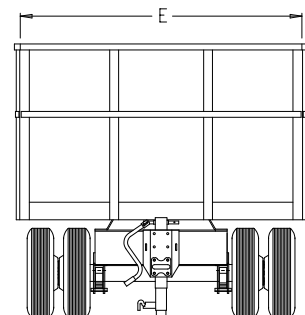
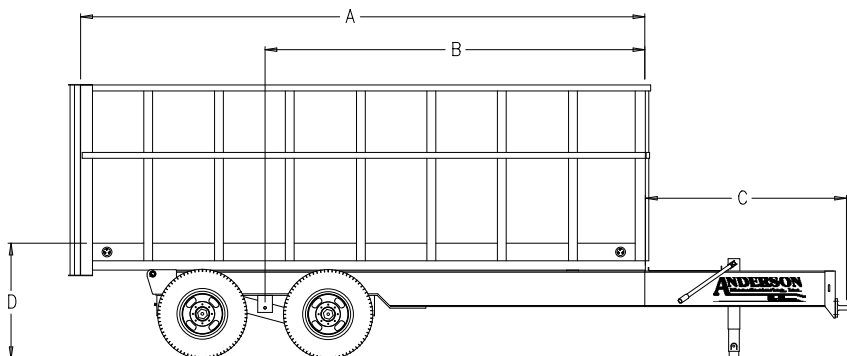
* 12T G.V.W.R. - 25,900#

Standard Features Optional Features

• 16" White Spoke Wheels	• Double Barn Doors
• Light Protectors	• Tarp System
• Electric Breakaway	• Battery Charger
• Oil Bath Axles	• 12 Ton/HDSS Upgrade

Dimensions

Weight / Length	A	B	C	D	E
6,925Lbs / 16'	192"	129"	40"	41.5"	96"
7,325 Lbs / 18'	216"	141"	40"	41.5"	96"
7,725Lbs / 20'	240"	153"	40"	41.5"	96"



•Specs & Prices Subject to Change Without Notice•